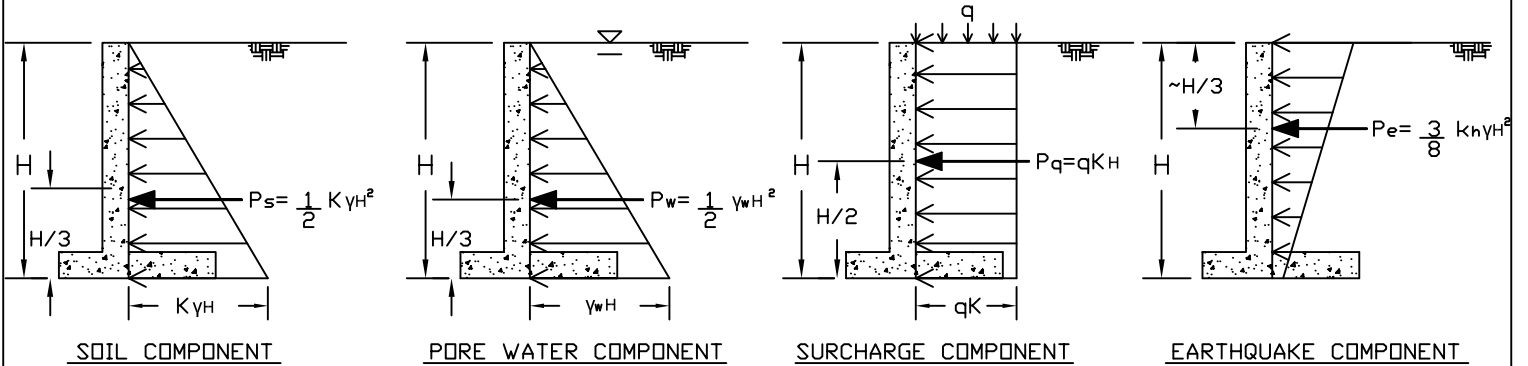
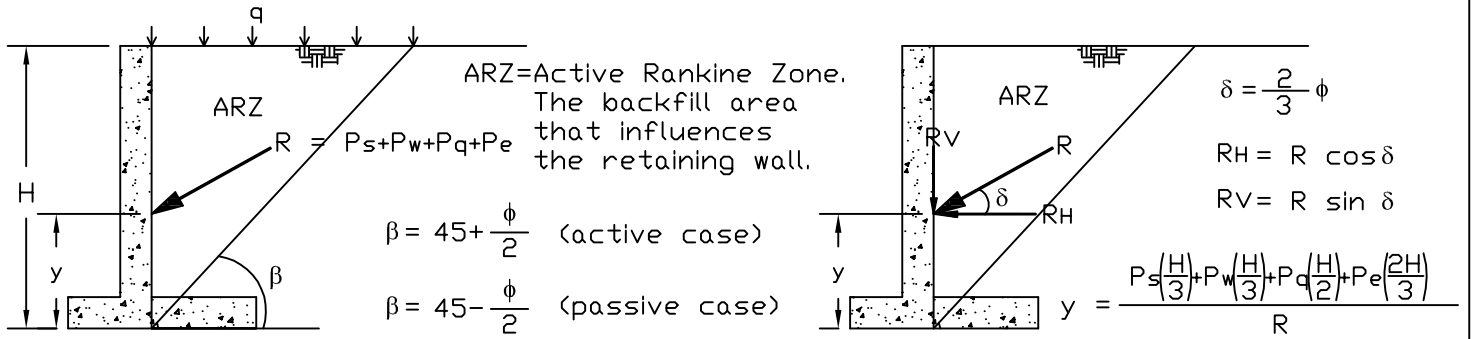


LATERAL EARTH PRESSURES (RANKINE ANALYSIS)



WALL OVERTURNING AND SLIDING ANALYSIS

